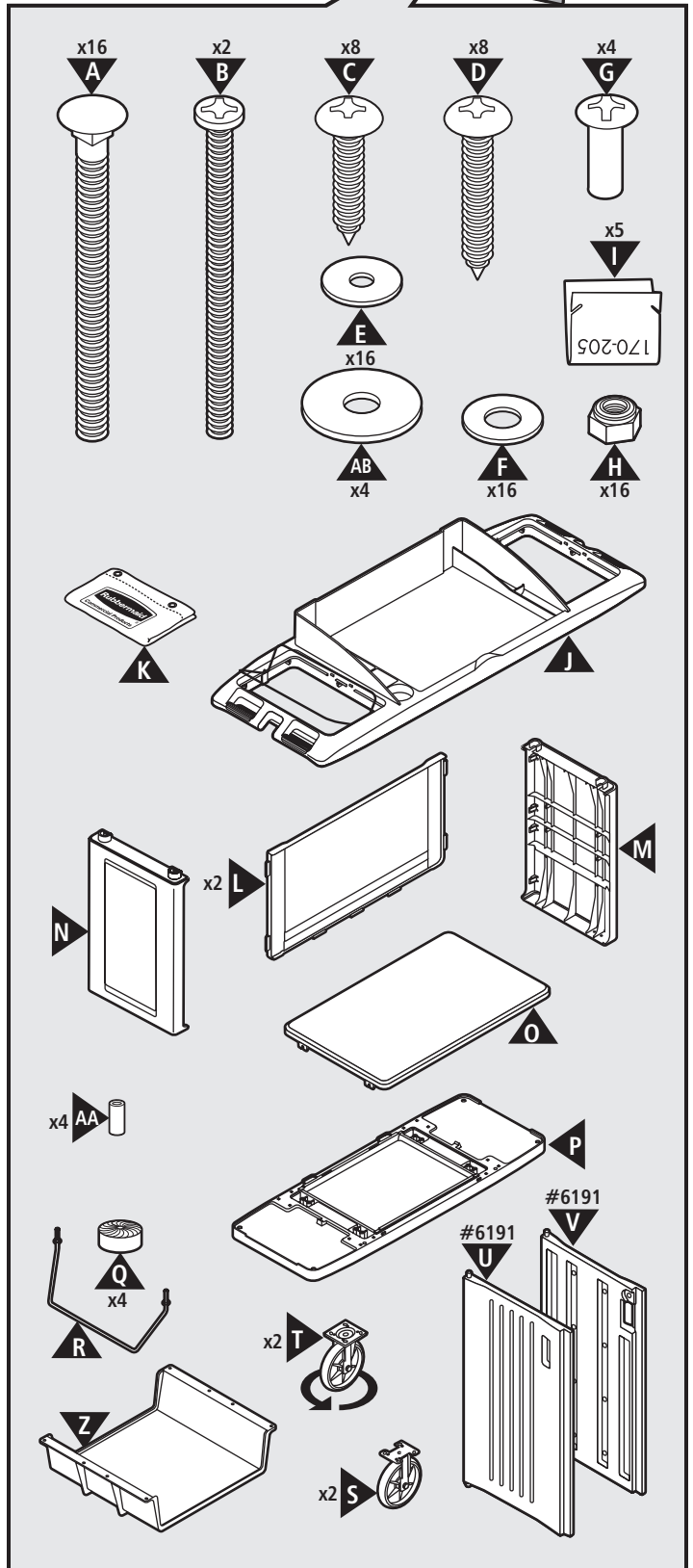
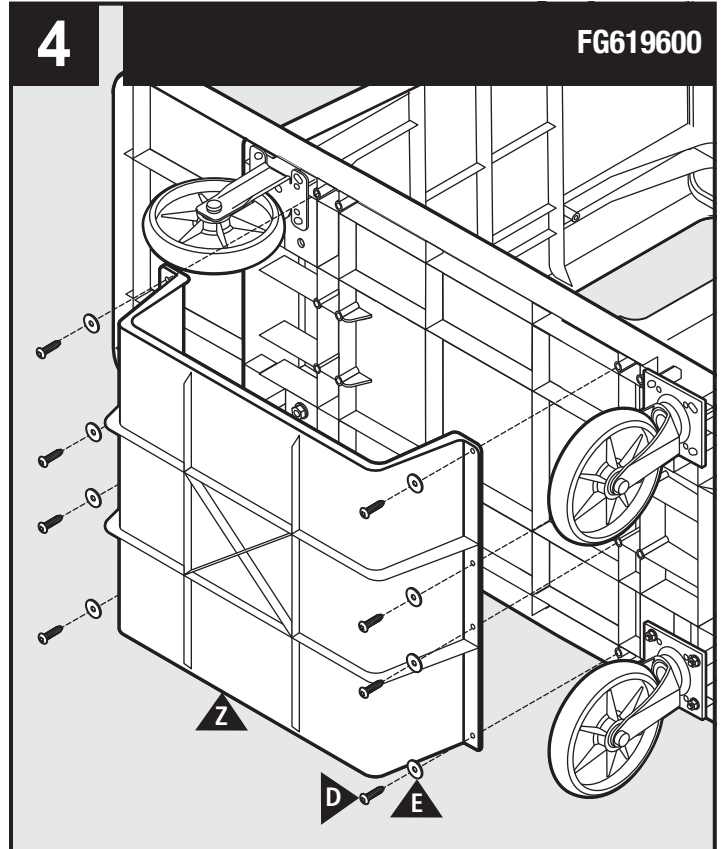
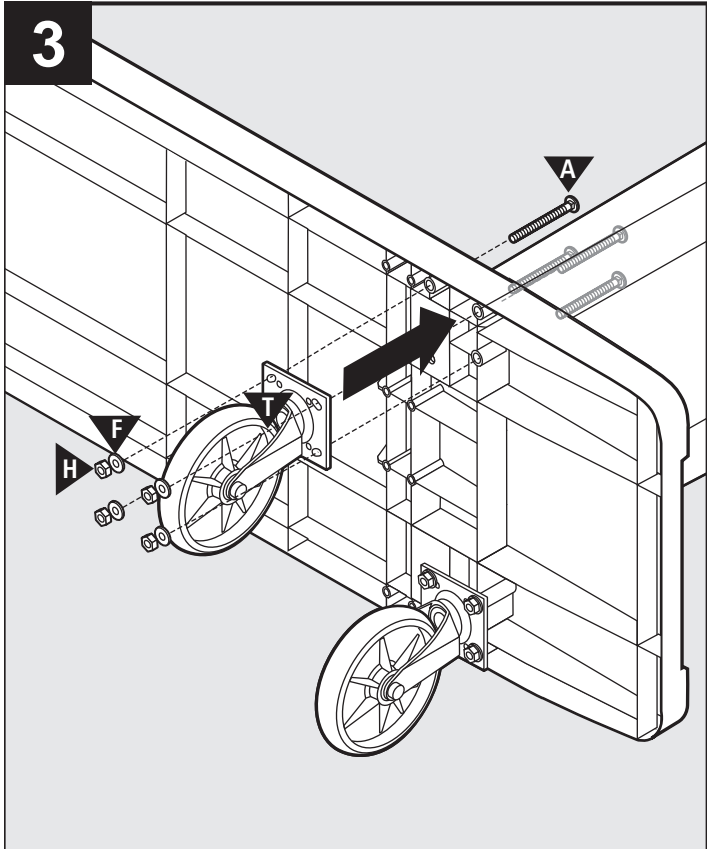
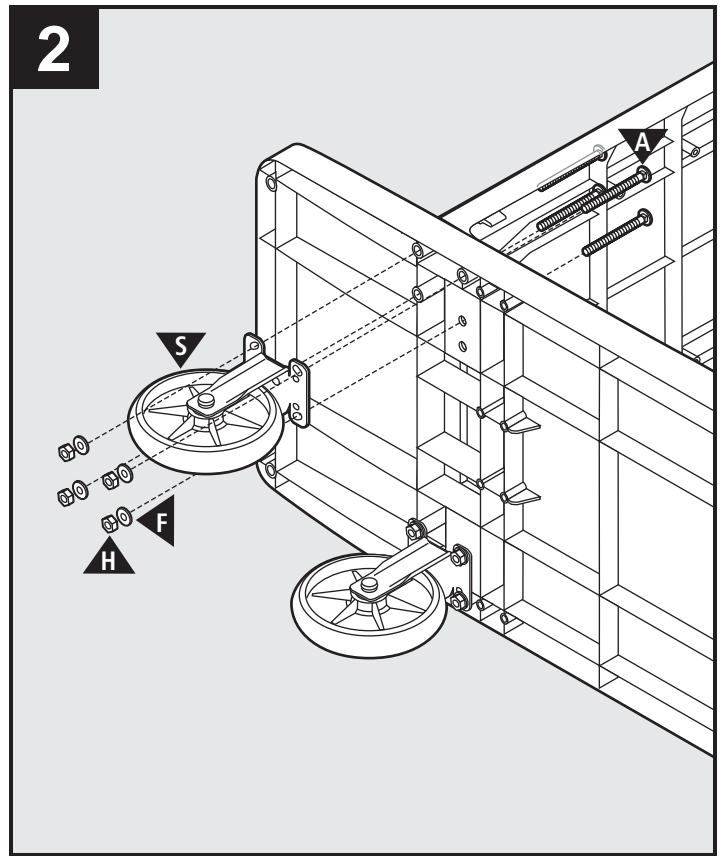
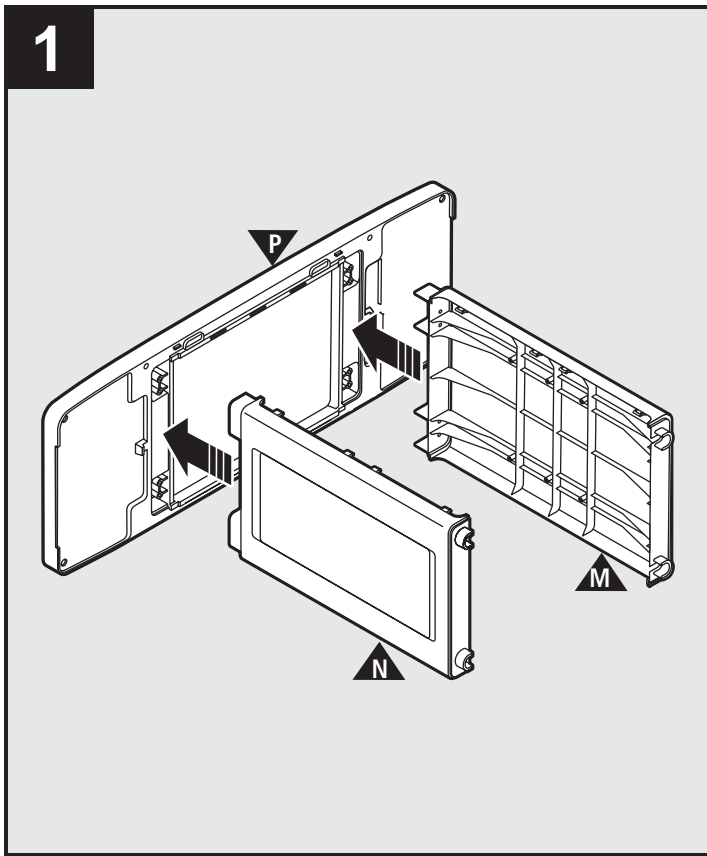
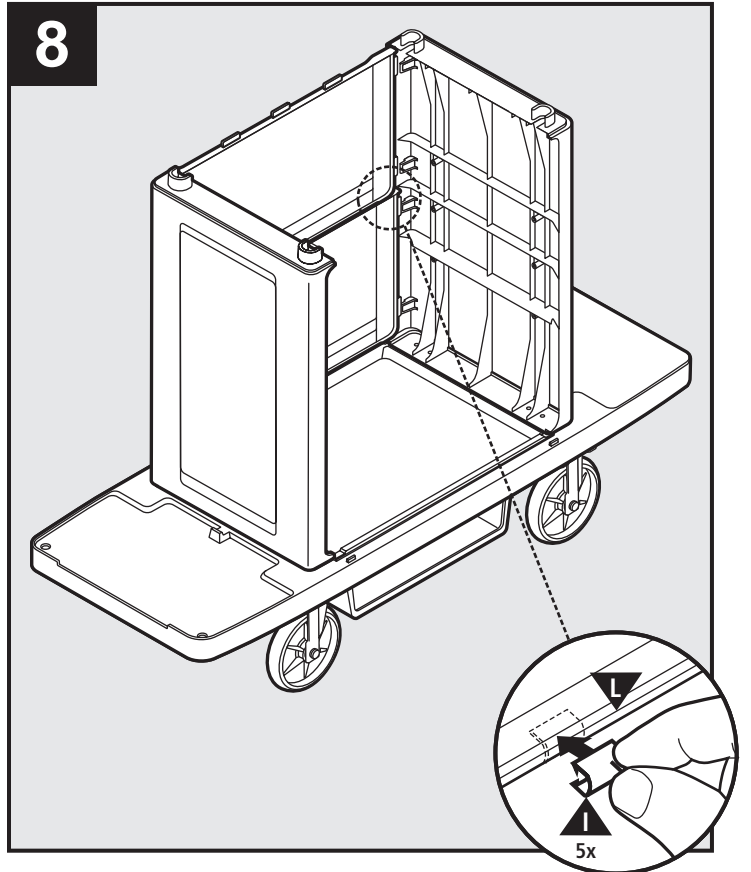
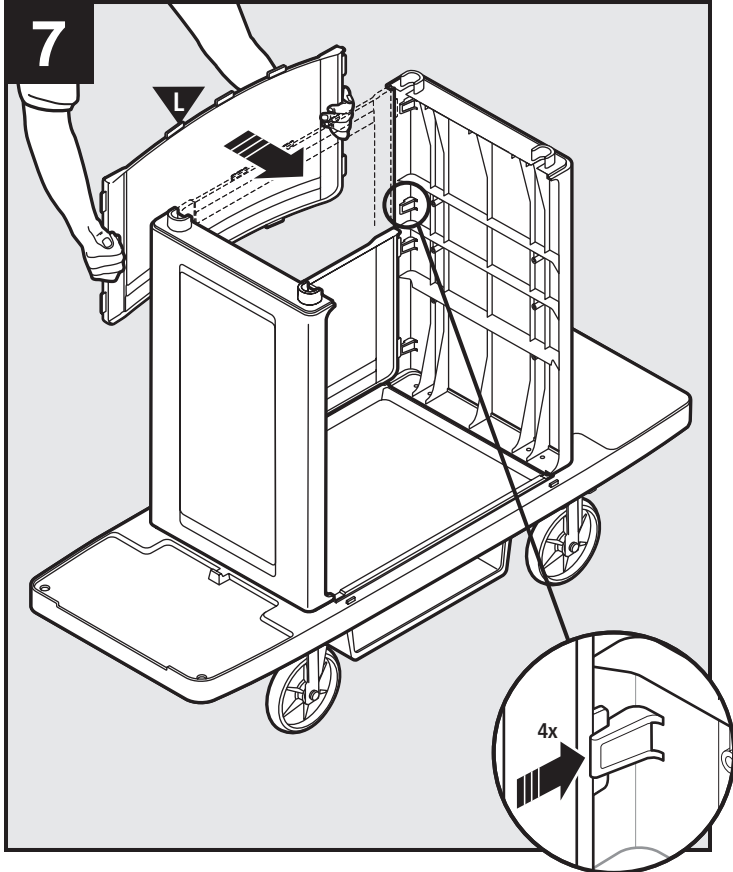
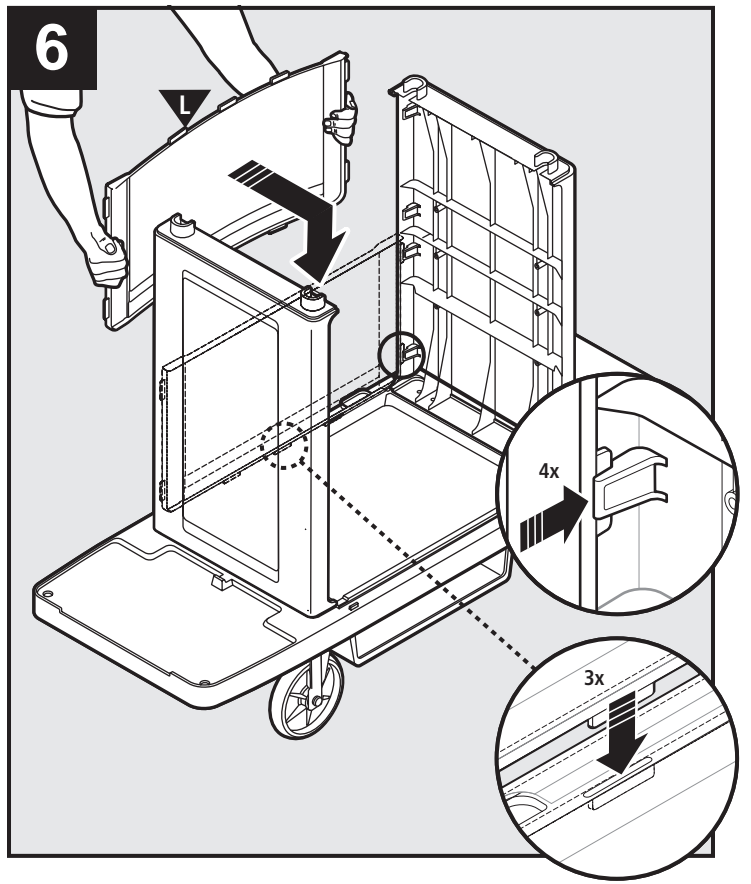
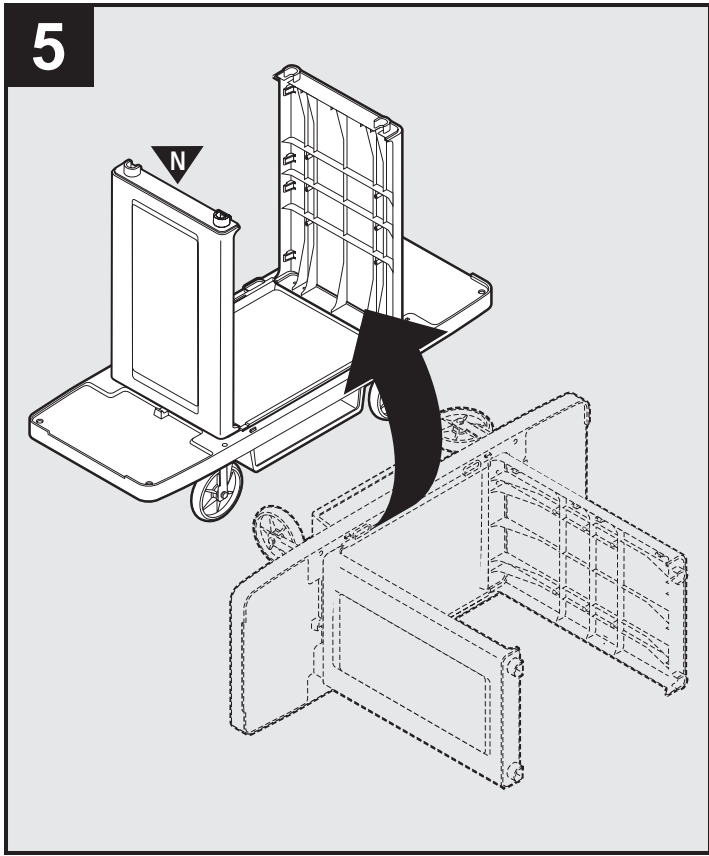
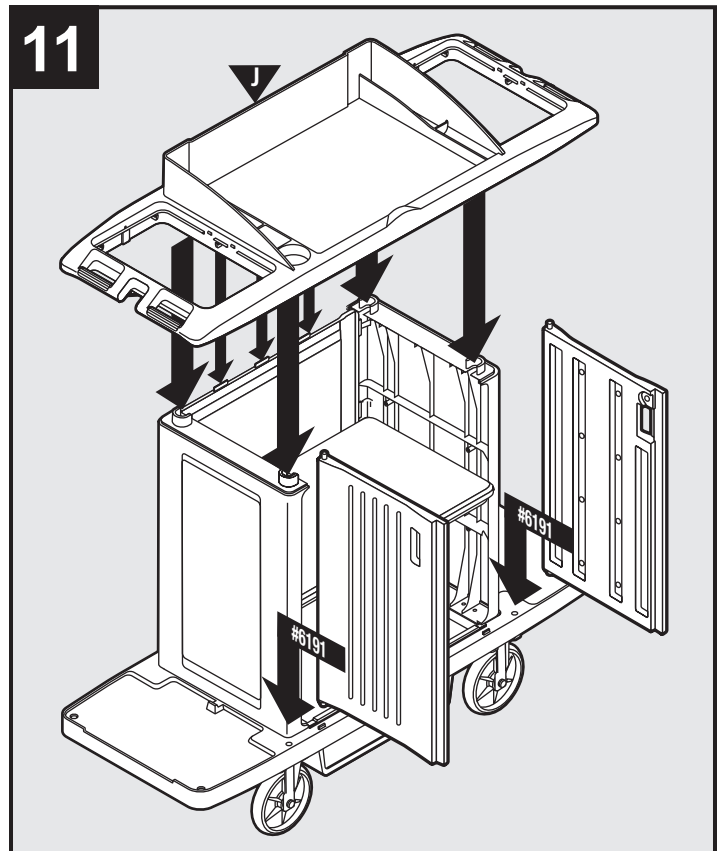
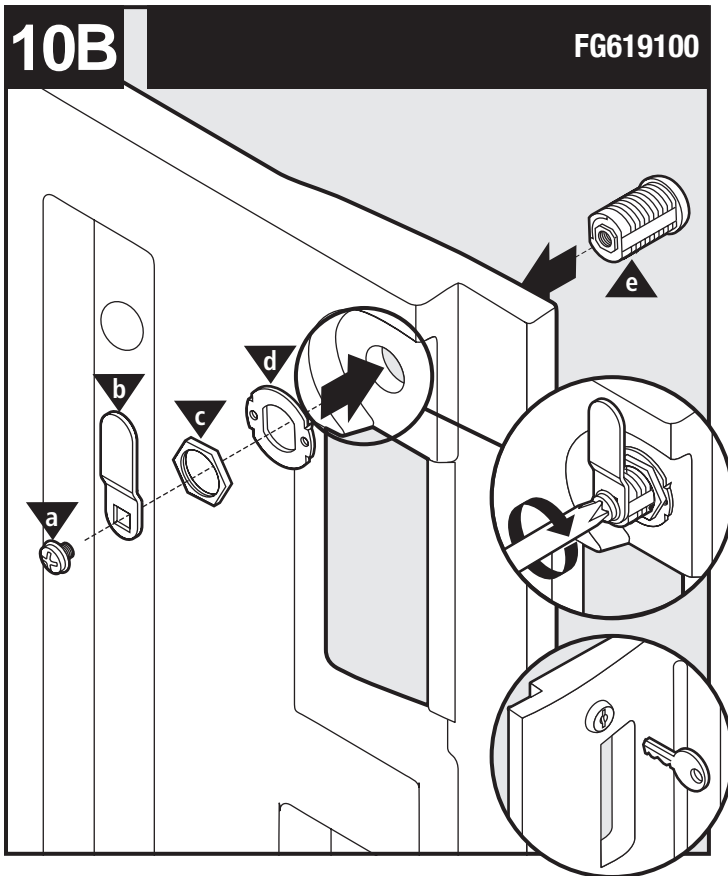
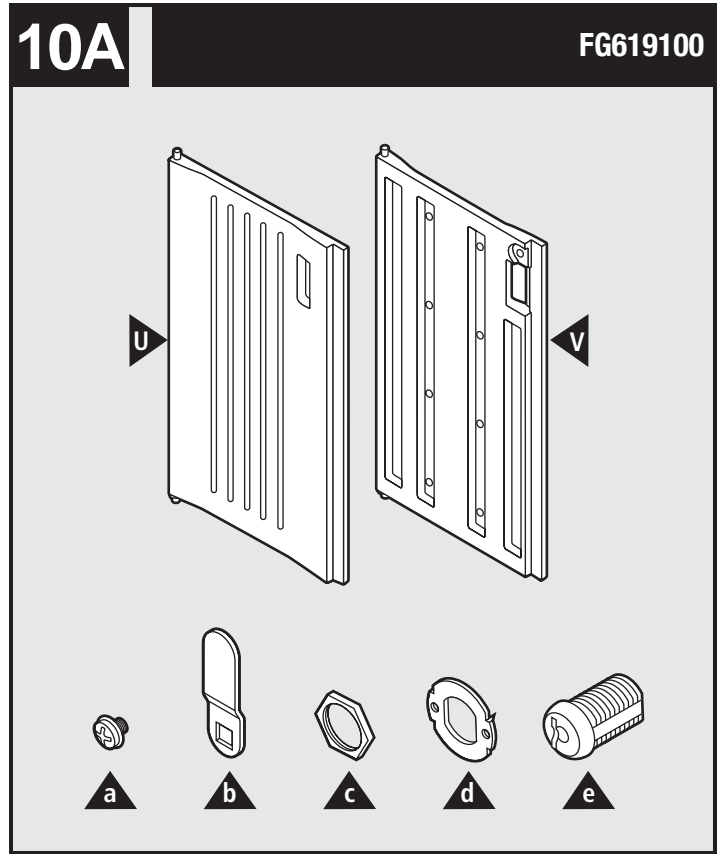
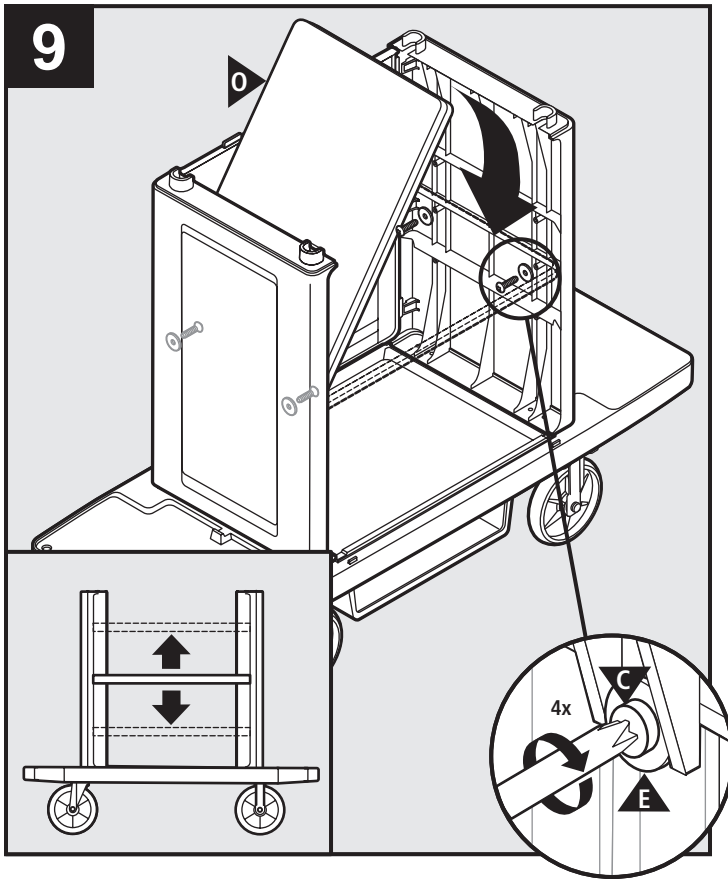


Replacement Bumper Kit #2067692 includes:
B, G, Q, R, AA, AB

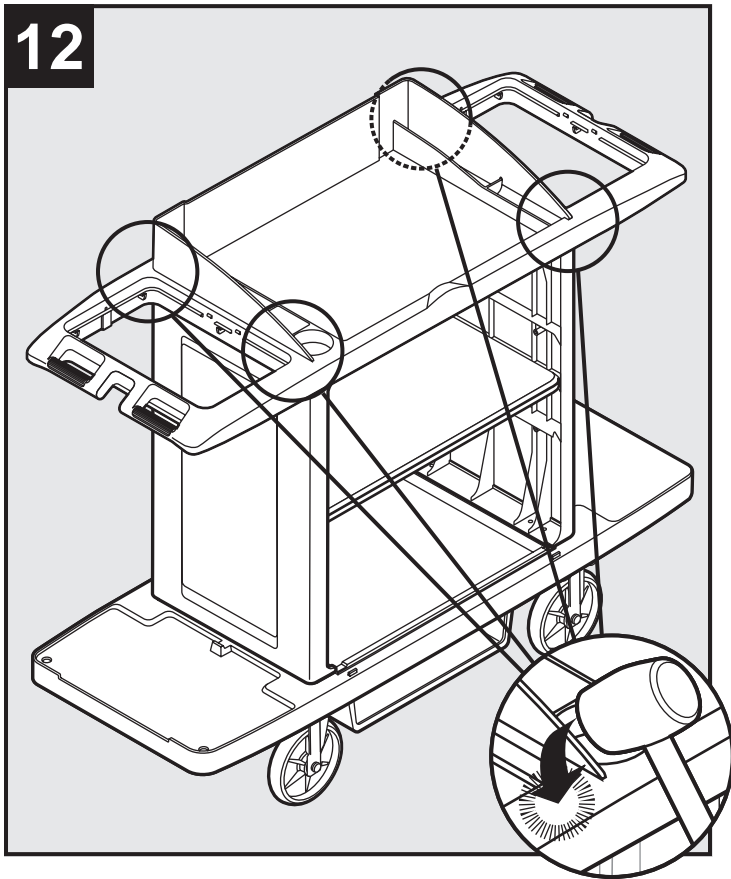




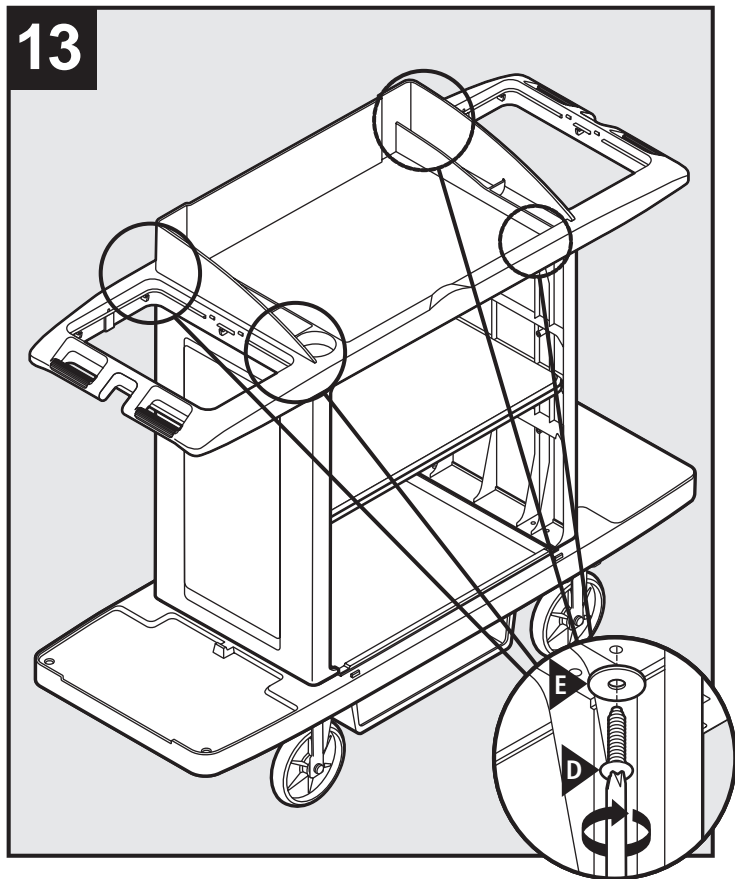




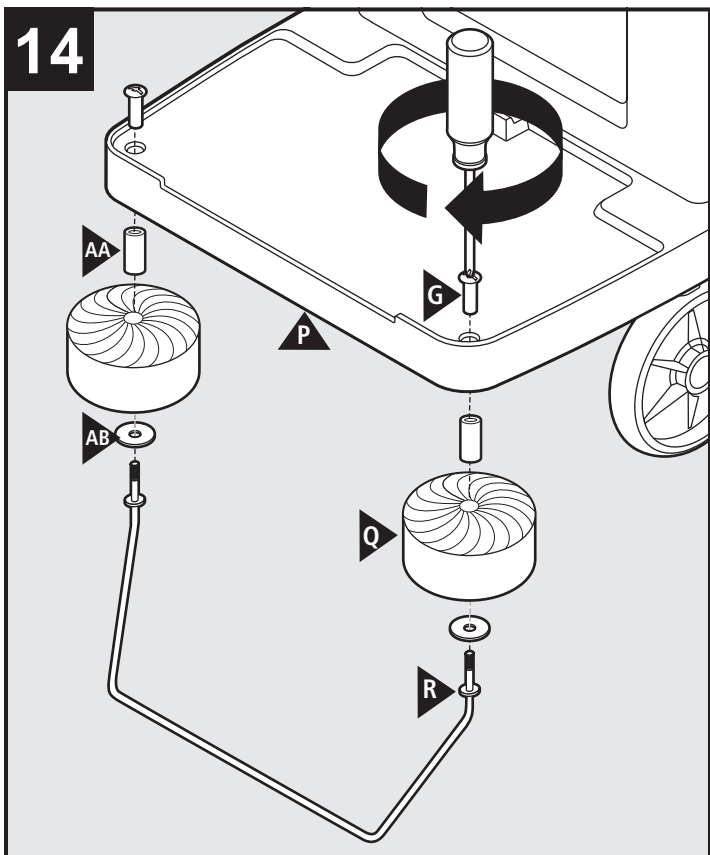
12



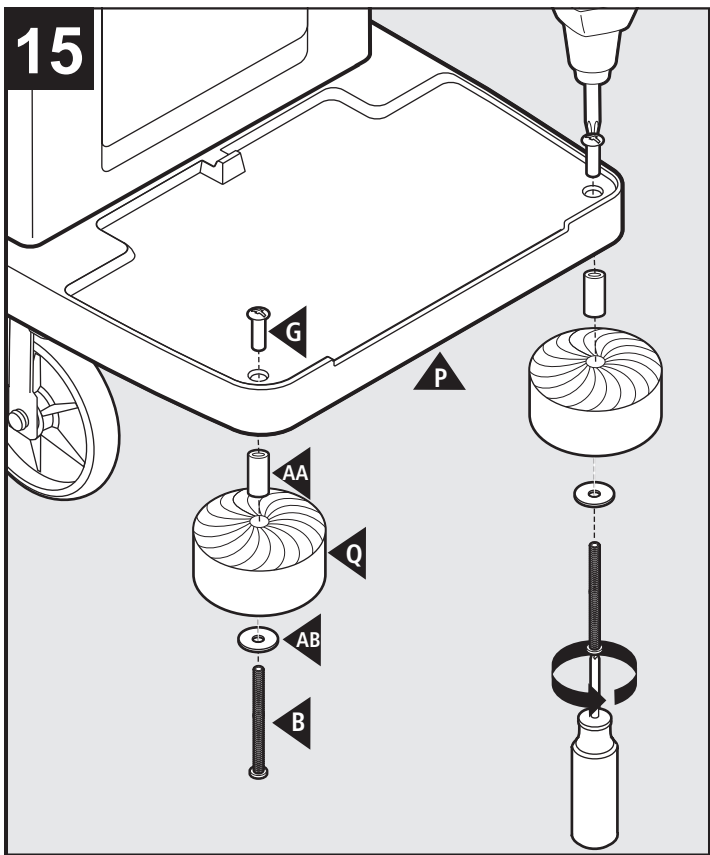
13



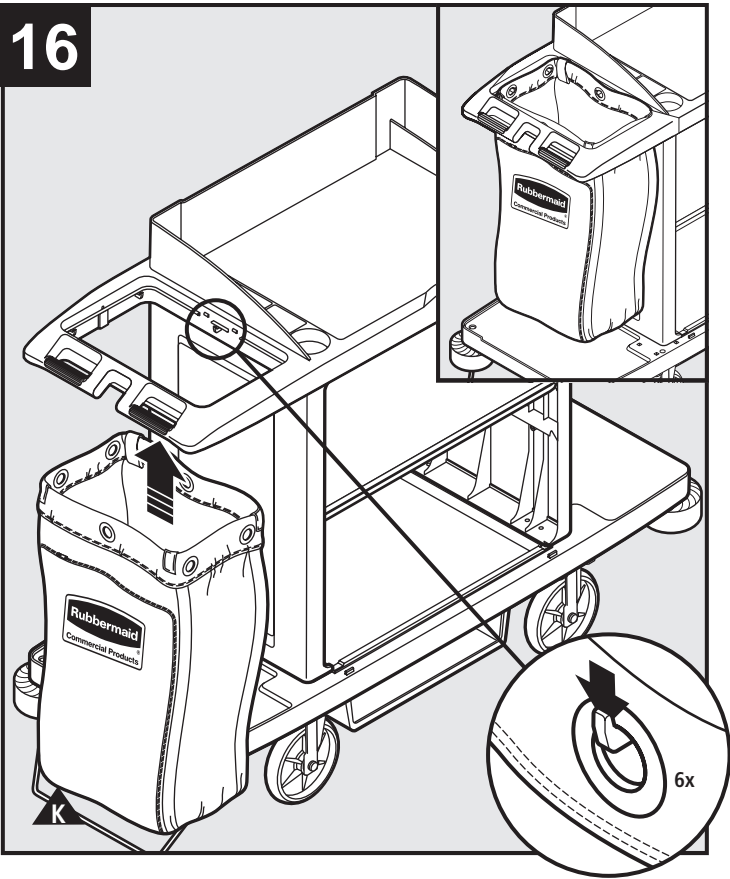
14



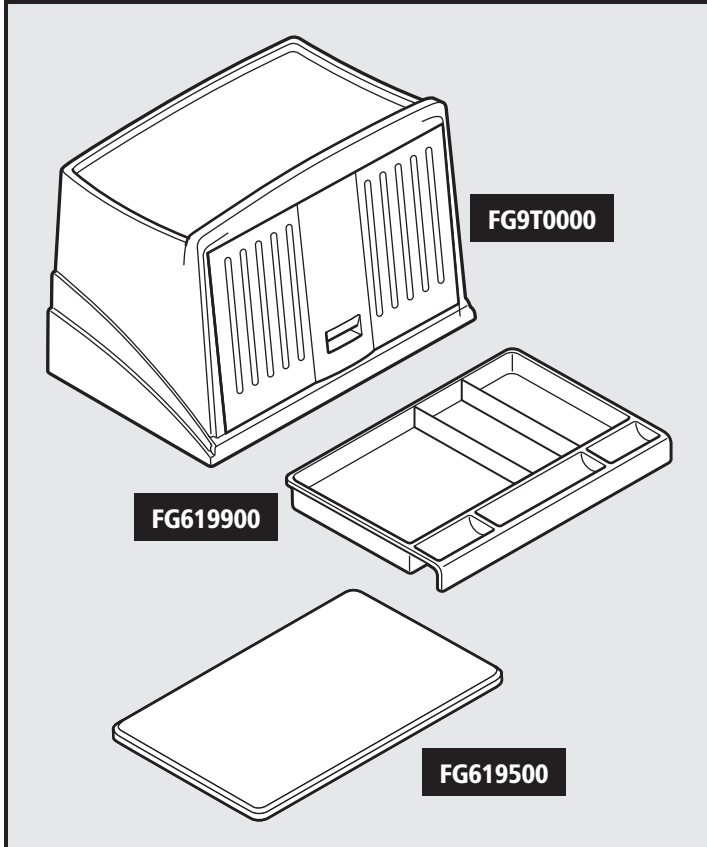
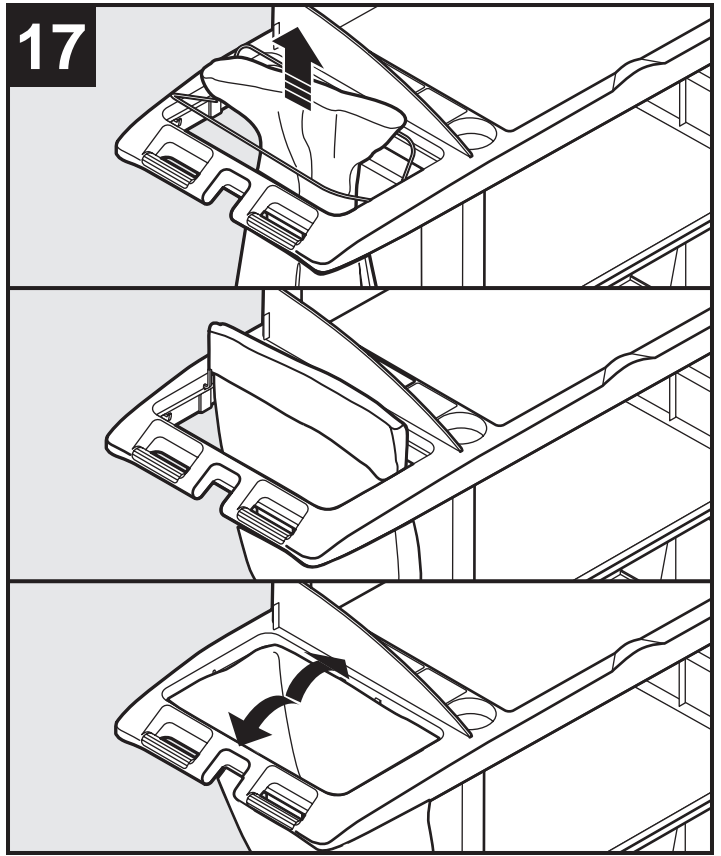
15



16



17



Products manufactured under quality management system registered to ISO 9001:2008
 ©2018 Rubbermaid Commercial Products LLC

Product # FG618900, FG619100, 1969596



Rubbermaid Commercial Products LLC
 8900 Northpointe Executive Park Drive
 Huntersville, NC 28078
 Phone: 1-800-347-9800
www.rubbermaidcommercial.com
 #NWL0000796491